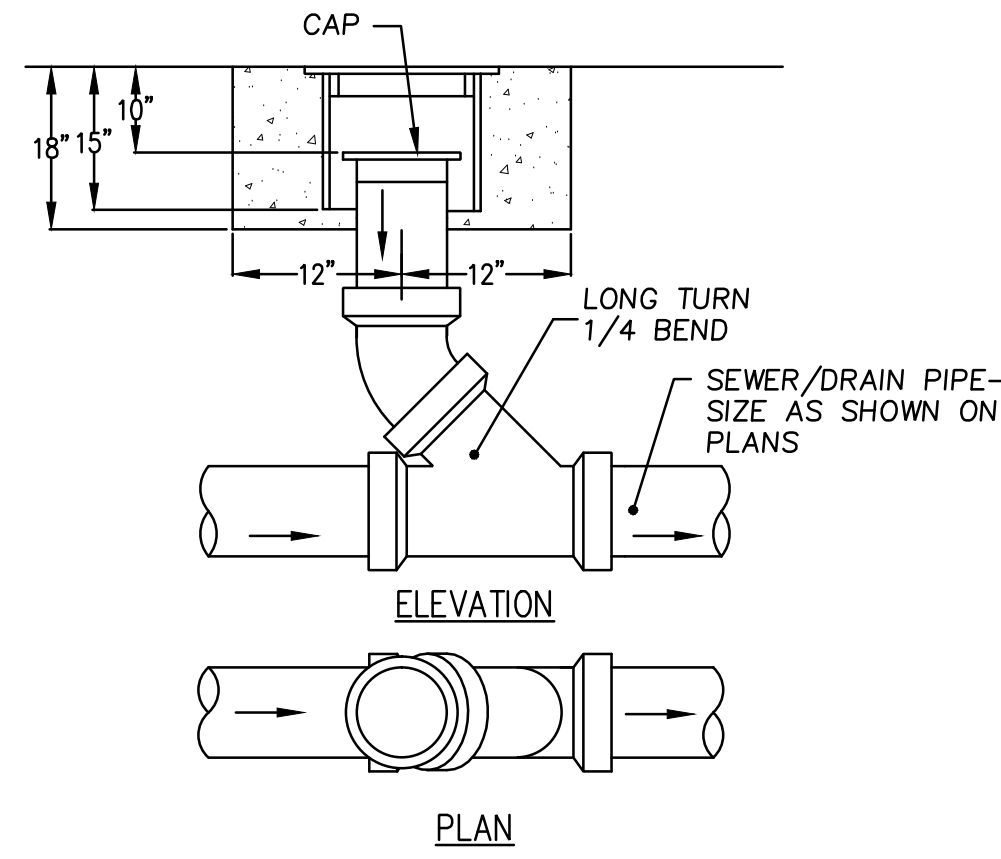


SIZE	A	B	C	WEIGHT CALC - LBS.
12"X12"	12"	12"	4"	208 (BASE) + 266 VF
18"X18"	18"	18"	5"	602 (BASE) + 604 VF
24"X24"	24"	24"	6"	675 (BASE) + 750 VF

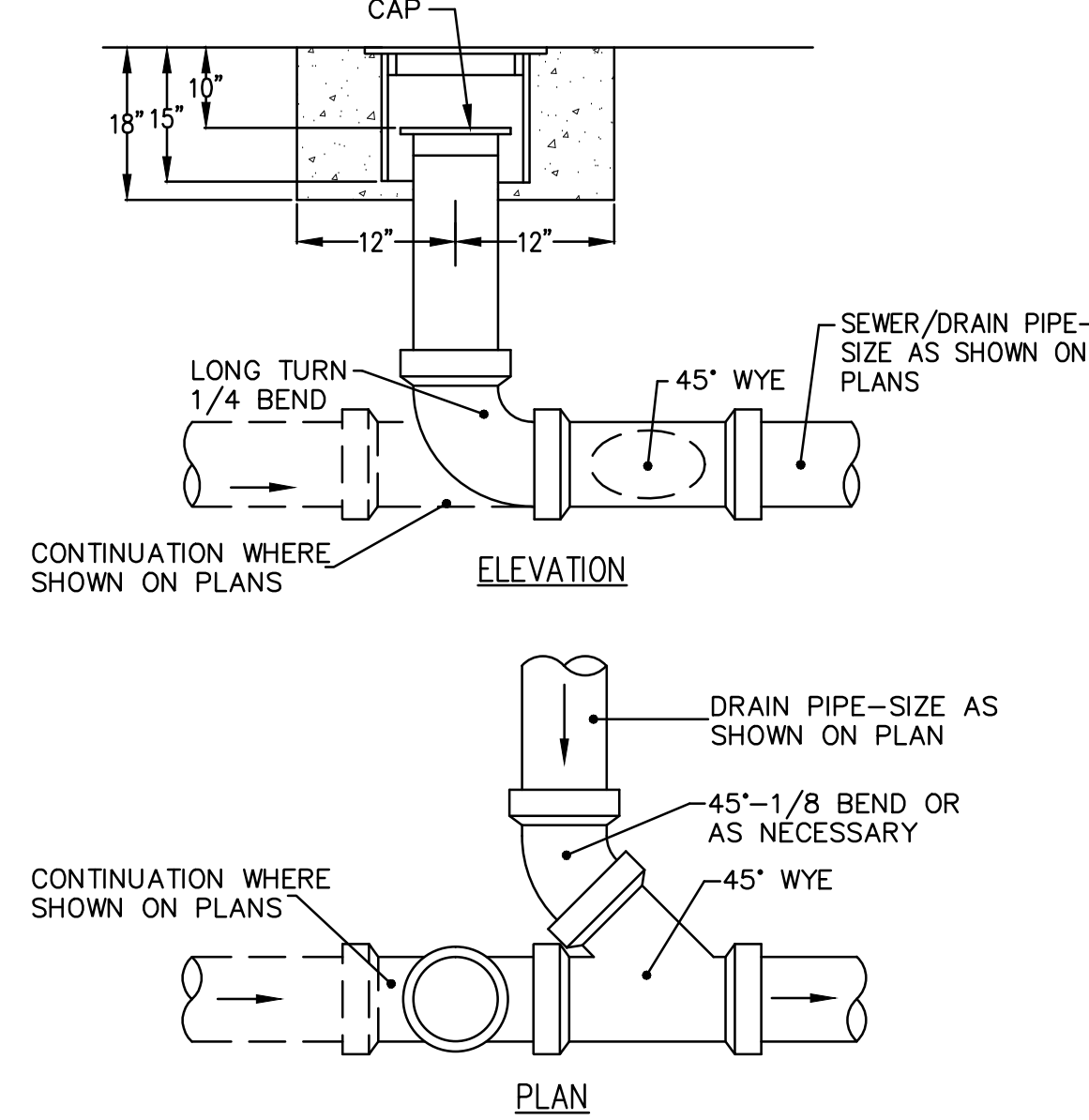
FOR COMPLETE DESIGN AND PRODUCT INFORMATION CONTACT JENSEN PRECAST OR BROOKS PRODUCTS INC.

A PRE-CAST CATCH BASIN
NO SCALE

CLEANOUT W/ NO CHANGE IN DIRECTION



CLEANOUT W/ CHANGE IN DIRECTION



NOTE:
STAND PIPE SIZE SHALL BE EQUIVALENT TO MAINLINE UP TO AND INCLUDING 8" PIPE. MAINLINE GREATER THAN 8" SHALL HAVE AN 8" STANDPIPE.

B STORM DRAIN CLEANOUT/
WATER QUALITY SAMPLING PORT
NO SCALE



*BIORETENTION ENGINEERED SOIL LAYER SHALL BE MINIMUM 12" DEEP SANDY LOAM SOIL MIX WITH NO MORE THAN 5% CLAY CONTENT. THE MIX SHALL CONTAIN 50-60% SAND, 20-30% COMPOST OR HARDWOOD MULCH, AND 20-30% TOPSOIL.

C BIOFILTRATION AREA SECTION
SCALE: 1"=2'

Job:	Drawn:	Checked:	Date:
	CAR	DVC	OCTOBER 31, 2016
Revised:			

IWC-AE
WEBB-CLEFF ARCHITECTURE & PLANNING, INC.
551 California Street, Suite 1100, San Francisco, California 94104
Telephone: (415) 774-8800 Fax: (415) 774-7541

Architect
FLORA VISTA ELEMENTARY
1690 WANDERING ROAD, ENCINITAS, CA 92024
ENCINITAS UNIFIED SCHOOL DISTRICT

STORM DRAINAGE DETAILS

REGISTRATION STAMP
DIV. OF THE STATE ARCHITECT
OFFICE OF REGULATORY SERVICES
A#
AC: FLS, SS
DATE:
DIVISION OF THE STATE ARCHITECT
Job:

C2.0