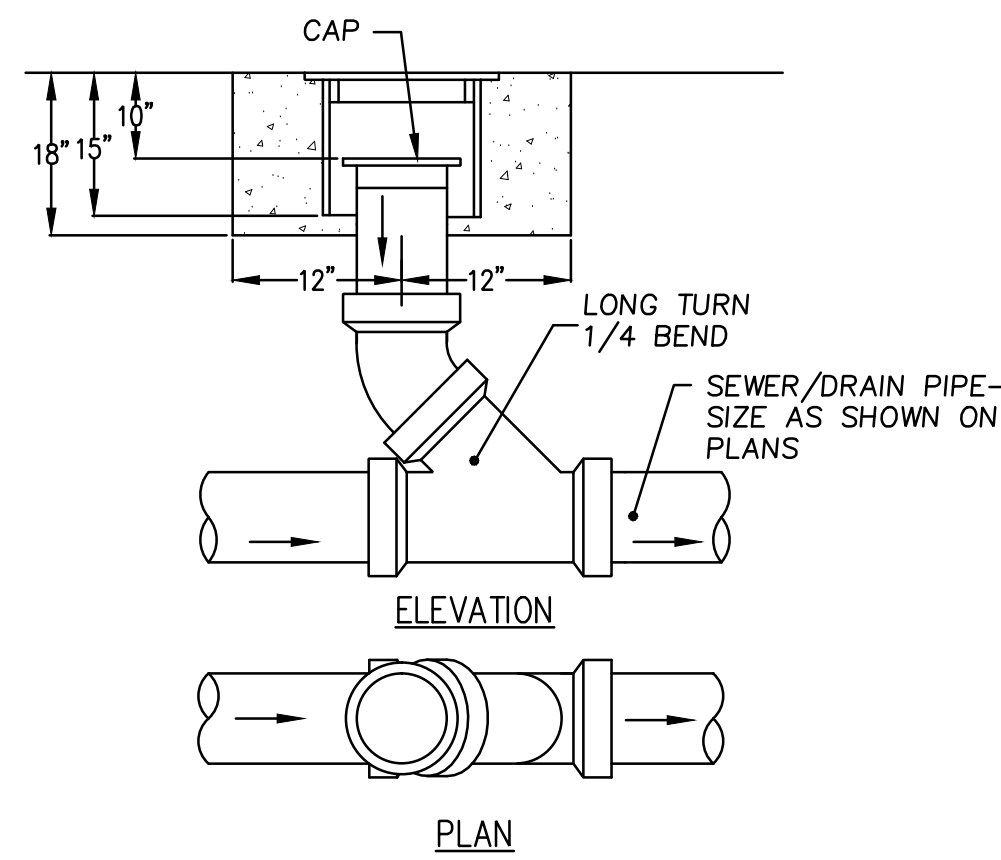


SIZE	A	B	C	WEIGHT CALC - LBS.
12"X12"	12"	12"	4"	208 (BASE) + 266 VF
18"X18"	18"	18"	5"	602 (BASE) + 604 VF
24"X24"	24"	24"	6"	675 (BASE) + 750 VF

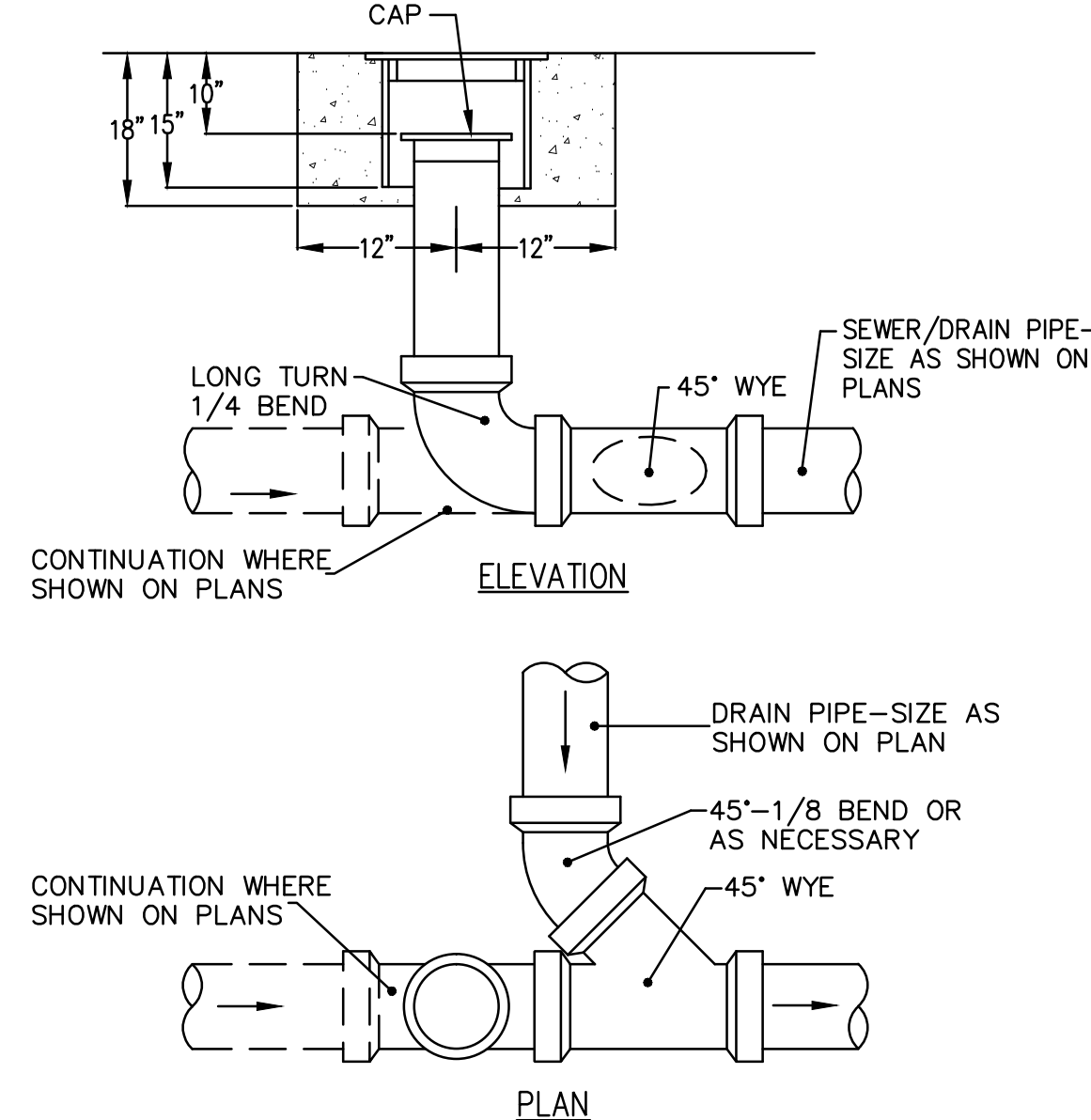
FOR COMPLETE DESIGN AND PRODUCT INFORMATION CONTACT JENSEN PRECAST OR BROOKS PRODUCTS INC.

**A**  
C2.0 PRE-CAST CATCH BASIN  
NO SCALE

CLEANOUT W/ NO CHANGE IN DIRECTION

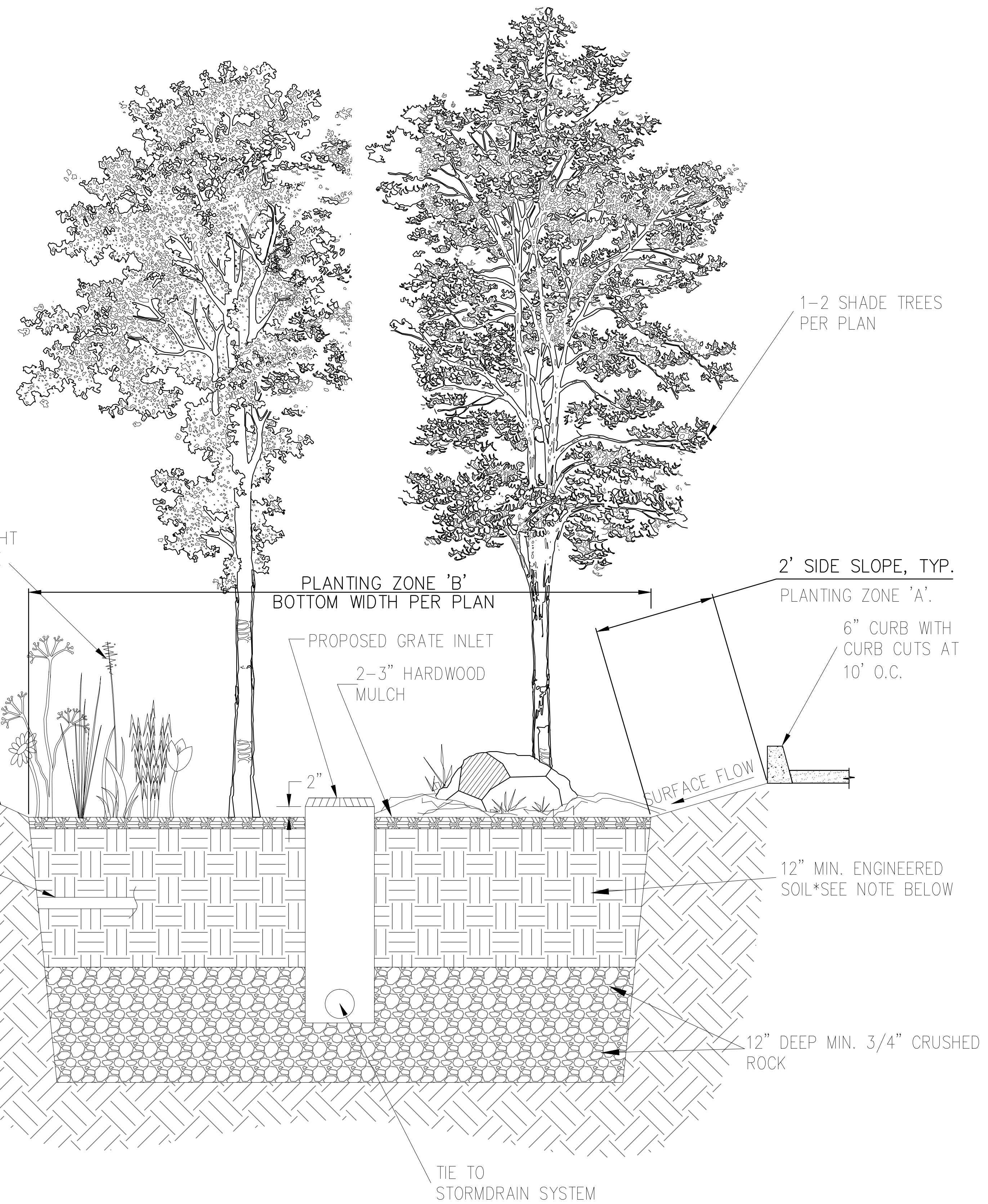


CLEANOUT W/ CHANGE IN DIRECTION



NOTE:  
STAND PIPE SIZE SHALL BE EQUIVALENT TO MAINLINE UP TO AND INCLUDING 8" PIPE. MAINLINE GREATER THAN 8" SHALL HAVE AN 8" STANDPIPE.

**B**  
C2.0 STORM DRAIN CLEANOUT/  
WATER QUALITY SAMPLING PORT  
NO SCALE



\*BIORETENTION ENGINEERED SOIL LAYER SHALL BE MINIMUM 12" DEEP SANDY LOAM SOIL MIX WITH NO MORE THAN 5% CLAY CONTENT. THE MIX SHALL CONTAIN 50-60% SAND, 20-30% COMPOST OR HARDWOOD MULCH, AND 20-30% TOPSOIL.

**C**  
C2.0 BIOFILTRATION AREA SECTION  
SCALE: 1"=2'

**D**  
C2.0 500 GALLON RAIN BARREL  
NO SCALE

Job: \_\_\_\_\_  
 Drawn: CAR  
 Checked: DVC  
 Date: OCTOBER 31, 2016

REVISIONS: \_\_\_\_\_

CONSULTANT: \_\_\_\_\_

REGISTERED PROFESSIONAL ENGINEER  
 CIVIL  
 STATE OF CALIFORNIA  
 No. 69472  
 Exp. 06-30-17

**IWC-AE**  
 WEBB-CLEFF ARCHITECTURE & PLANNING, INC.  
 551 California Street, Suite 1100, San Francisco, California 94104  
 Telephone: (415) 774-8800 Fax: (415) 774-7541

Architect: \_\_\_\_\_

EL CAMINO CREEK ELEMENTARY  
 7885 PASEO ALISO, CARLSBAD, CA 92009  
 ENCINITAS UNIFIED SCHOOL DISTRICT

**STORM DRAINAGE  
 DETAILS**

IDENTIFICATION STAMP  
 DIV. OF THE STATE ARCHITECT  
 OFFICE OF REGULATORY SERVICES  
 A# \_\_\_\_\_  
 AC \_\_\_\_\_ FLS \_\_\_\_\_ SS \_\_\_\_\_  
 DATE \_\_\_\_\_  
 DIVISION OF THE STATE ARCHITECT  
 Job: \_\_\_\_\_

C2.0